

FIST-GCO2-F

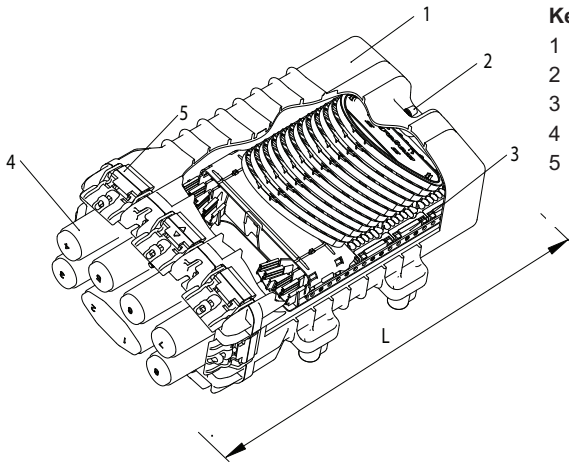
Flat FIST generic closure organizer

The generic closure FIST-GCO2-F is the environmentally sealed enclosure for the fiber management system that provides the functions of splice and passive component integration in the external network.

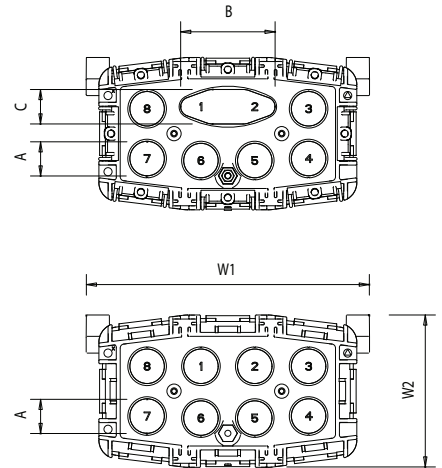
The FIST-GCO2-F has the following functions and features

- Single-ended design
- Base and dome are sealed with latches and O-ring system
- 6 or 8 round ports for drop cables and 1 oval port for looped cable
- The single side UMS (Universal Mounting System) frame provide the foundation for mounting combinations of SOSA2 (Splice Only Sub-Assembly) and/or FSASA2 (Splitter Array Sub-Assembly) modules, which consist of a modular grooveplate and trays
- Compatible with most common cable types: e.g. loose tube, central core, ribbon fiber
- Uncut fibers can be stored as single circuits in trays and/or as cable elements in the storage space.

Dimensions and capacities



- Key**
- 1 Dome
 - 2 Optional Valve
 - 3 Wrap-around grooveplates
 - 4 Base
 - 5 Latch



| Dimensions in mm | GCO2-FC | GCO2-FD |
|------------------|---------|---------|
| L | 384 | 432 |
| W1 | 279 | 279 |
| W2 | 150 | 150 |
| A | 30 | 30 |
| B | 82 | 82 |
| C | 30 | 30 |

| | Fibers | Trays | Fibers | Trays |
|----------------------------------|--------|-------|--------|-------|
| Single circuit splicing capacity | 32 | 16 | 48 | 24 |
| Single element splicing capacity | 96 | 8 | 144 | 12 |
| R4/R8 Splicing capacity | 64 | 8 | 96 | 12 |

FIST-GCO2- X X X - X X

Type

- FC** 384 mm long with 16 units UMS
- FD** 432 mm long with 24 units UMS

Number of round ports

- 6** round ports + 1 oval Port
- 8** round ports

Flash test point

- V** Pre-mounted flash test point in dome
- N** No pressure relief valve

Ground feed-through

- G** Pre-mounted ground feed-through
- N** No ground feed-through

For more technical options and order quantity information, please consult the products ordering guides or your local sales representative.

Tyco Electronics, TE logo and FIST are trademarks.

The information given herein, including drawings, illustrations and schematics which are intended for illustration purposes only, is believed to be reliable. However, Tyco Electronics makes no warranties as to its accuracy or completeness and disclaims any liability in connection with its use. Tyco Electronics' obligations shall only be as set forth in Tyco Electronics' Standard Terms and Conditions of Sale for this product and in no case will Tyco Electronics be liable for any incidental, indirect or consequential damages arising out of the sale, resale, use or misuse of the product. Users of Tyco Electronics products should make their own evaluation to determine the suitability of each such product for the specific application.

Tyco Electronics Raychem bvba
 Diestsesteenweg 692
 3010 Kessel-Lo, Belgium
 Tel 32-16 351 011 (USA)1-919-557-8900
 Fax 32-16 351 697 (USA)1-919-557-8498
 www.tycoelectronics.com
 www.telecomosp.com
 TC 1032/DS/3 05/09