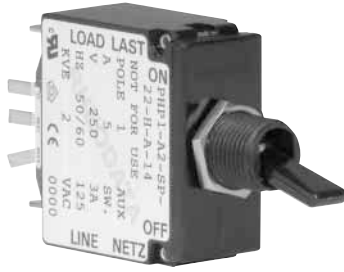


Frame Information

PROPAK Series



PROPAK Series

Hydraulic-Magnetic Circuit Protector

- 1- or 2-poles.
- 0.1 to 20 amperes.
- Auxiliary switch option.
- Meets MIL-STD for shock, vibration, temperature and humidity.

The PROPAK offers the performance of a hydraulic-magnetic breaker in a miniature package. Available in 1- or 2-pole versions, the PROPAK can be used in a variety of applications up to 250 Vac. All breakers ship with mounting hardware included and have quick-connect terminals for fast installation.

Time Delay Options

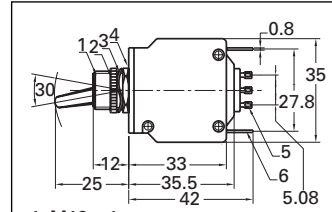
Choose from instantaneous or standard time delay curves 2 or 3. A high inrush version is also available.

Approvals

The PROPAK series is UL recognized under UL 1077 and carries CSA approval. Each unit carries an interrupting capacity of 1 kA at maximum voltage of 250 Vac or 72 Vdc.

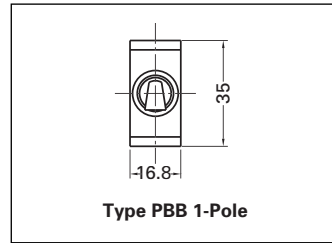
Accessories

Some popular accessories include optional internal auxiliary contacts and screw terminal adapters.

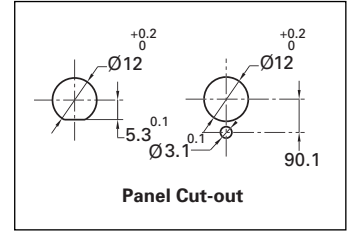


1. M12 x 1
2. Knurled nut
3. Pressure washer
4. Hexagon nut
5. Auxiliary contact terminal
6. Main terminal: Fast-on 6.3 x 0.8

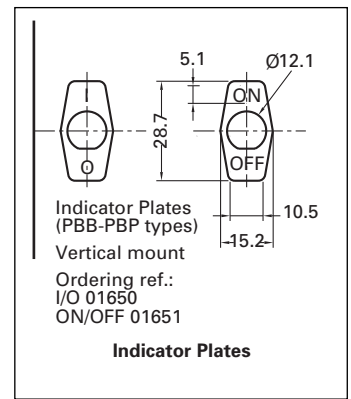
Type PBB 1-Pole



Type PBB 1-Pole



Panel Cut-out



Indicator Plates

PROPAK SERIES CATALOG NUMBERING SYSTEM

