

Wall Outlet standard TBWO for 2xSC sx adaptors

Components

1. Wall outlet TBWO Dimensions: 120 x 100 x 24 (26,5) mm
2. Optical adapter SC/UPC (blue)
3. Optical adapter SC/APC (green)
4. Pigtail SC/UPC L=1m
5. Pigtail SC/APC L=1m
6. Accessories



Description

1. Wall Outlet standard TBWO (Figure 1)

The wall outlet is used to terminate optical installation cables to pigtails at subscribers premises. It is mounted on the wall. The cable is fed to the wall outlet from the left side, right side or from the back. The wall outlet consists of body, splice cassette, cover and lid. The body is fixed to the wall with screws and is used for entrance and routing of the optical installation cable and mounting of optical adapters. The purpose of the splice cassette is to take excess lengths of optical cables and to fix splice protectors (1-2 pcs). Heat-shrink splice protectors or cold-splice protectors (mechanical splices) can be fixed easily on the splice cassette. A cover protects the contents of the wall outlet and is fixed to the wall outlet with 2 M4 screws. An easily removable lid protects the patch cord connectors. Optionally a customer logo can be placed on the lid. The construction of the wall outlet ensures a minimum bending radius for the pigtails of $R=30$ mm and prevents disconnection of patchcords connectors without removing the lid. The wall outlet is made of White (RAL 9010) High Heat and High Impact Resistance Polystyrol (PS454C).

2. Optical adapter SC/UPC (blue)

SCsx adapter with plastic housing with ceramic sleeve (ZrO₂); IEC 61754-4, TIA 604-3 compliant

3. Optical adapter SC/APC (green)

SCsx adapter with plastic housing with ceramic sleeve (ZrO₂); IEC 61754-4, TIA 604-3 compliant

4. Pigtail SC/UPC L=1m 1 pc

semi-tight buffered construction; 900µm outer diameter. Fiber Type 9/125 SM ITU-T G.657.A (IL<=0,3dB; RL>=-50dB) IEC 61754-4, TIA 604-3 compliant

5. Pigtail SC/APC L=1m 1 pc

semi-tight buffered construction; 900µm outer diameter. Fiber Type 9/125 SM ITU-T G.657.A (IL<=0,3dB; RL>=-65dB) IEC 61754-4, TIA 604-3 compliant

6. Accessories

- Screw kit for mounting the wall outlet to the wall, 2 pcs cable ties
- Optional: 2 pcs Heat shrink splice protector Ø2,5 x 41mm or 2 pcs Cold Splice Protector (dim: up to 4,5x4,5x 40mm)

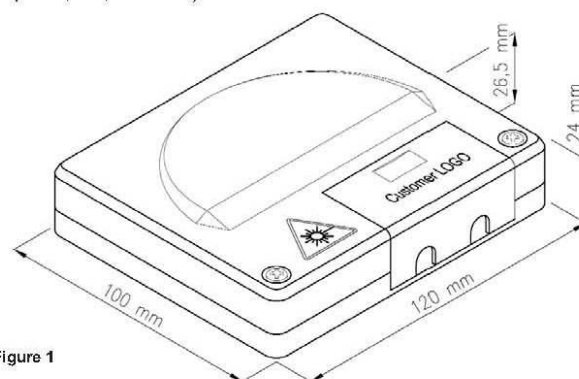


Figure 1

Wall Outlet standard TBWO for 2xSC sx adaptors

Technical parameters

Material	Polystyrol PS 454 C
Color	White (RAL 9010)
Operating temperature	-40°C to +75°C (according EN 60068-2-1 and EN 60068-2-1)
Flammability	UL94 HB
IP protection class	IP53 (according IEC 60529)
Weight	95g (without adapter and pigtail(s))

Installation

Figure 2 shows the cable entry point of the installation cable and routing of excess cable inside the splice cassette, one heat-shrink splice protector and one cold-splice protector.

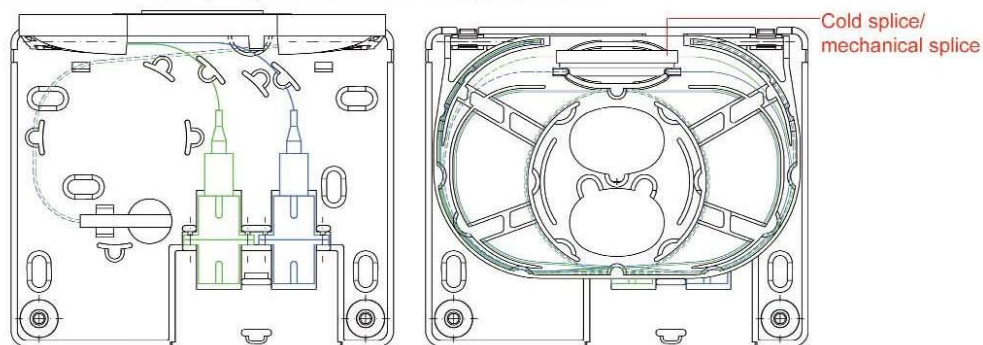
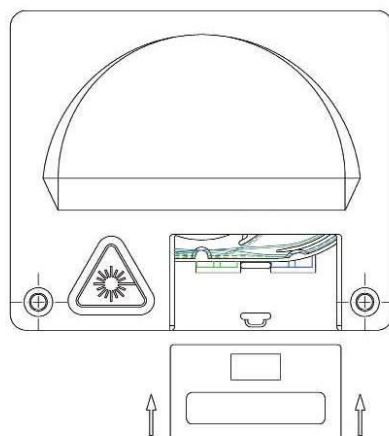


Figure 2

Cable management - Wall outlet standard



Wall Outlet standard

Versions

A: Assembled wall outlet with adapters and pigtails. Excess pigtail is stored in the splice cassette. The other accessories are enclosed in a separate bag.

B: Assembled wall outlet with adapters without splice cassette. The other accessories are enclosed in a separate bag.

The wall outlet is supplied protected with a plastic bag.

100 pcs wall outlets are packed in a cardboard box.

Empty wall outlet

<i>Description</i>	<i>Type</i>	<i>ec- Article Nr.:</i>
Wall outlet for 2 SC sx adapters empty	TBWO/E2SCSX	EC05.200000.001

Assembled with Adapters only

Wall outlet with 1 SC/UPC sx Adapter		EC05.200001.011
Wall outlet with 1 SC/APC sx Adapter		EC05.200001.013
Wall outlet with 1 SC/UPC sx swing shutter Adapter		EC05.200001.039
Wall outlet with 1 SC/APC sx swing shutter Adapter		EC05.200001.041
Wall outlet with 1 SC/UPC and 1 SC/APC sx Adapter		EC05.200001.001
Wall outlet with 1 SC/UPC and 1 SC/APC sx swing shutter Adapter		EC05.200001.033
Wall outlet with 2 SC/UPC sx Adapter		EC05.200001.003
Wall outlet with 2 SC/APC sx Adapter		EC05.200001.005
Wall outlet with 2 SC/UPC sx swing shutter Adapter		EC05.200001.035
Wall outlet with 2 SC/APC sx swing shutter Adapter		EC05.200001.037

Assembled with Adapters and Pigtails

Wall outlet with 1 SC/UPC sx Adapter + Pigtail		EC05.200001.012
Wall outlet with 1 SC/APC sx Adapter + Pigtail		EC05.200001.014
Wall outlet with 1 SC/UPC sx swing shutter Adapter + Pigtail		EC05.200001.040
Wall outlet with 1 SC/APC sx swing shutter Adapter + Pigtail		EC05.200001.042
Wall outlet with 1 SC/UPC and 1 SC/APC sx Adapter + 2 Pigtails		EC05.200001.002
Wall outlet with 1 SC/UPC and 1 SC/APC sx swing shutter Adapter + 2 Pigtails		EC05.200001.034
Wall outlet with 2 SC/UPC sx Adapter + 2 Pigtails		EC05.200001.004
Wall outlet with 2 SC/APC sx Adapter + 2 Pigtails		EC05.200001.006
Wall outlet with 2 SC/UPC sx swing shutter Adapter + 2 Pigtails		EC05.200001.036
Wall outlet with 2 SC/APC sx swing shutter Adapter + 2 Pigtails		EC05.200001.038